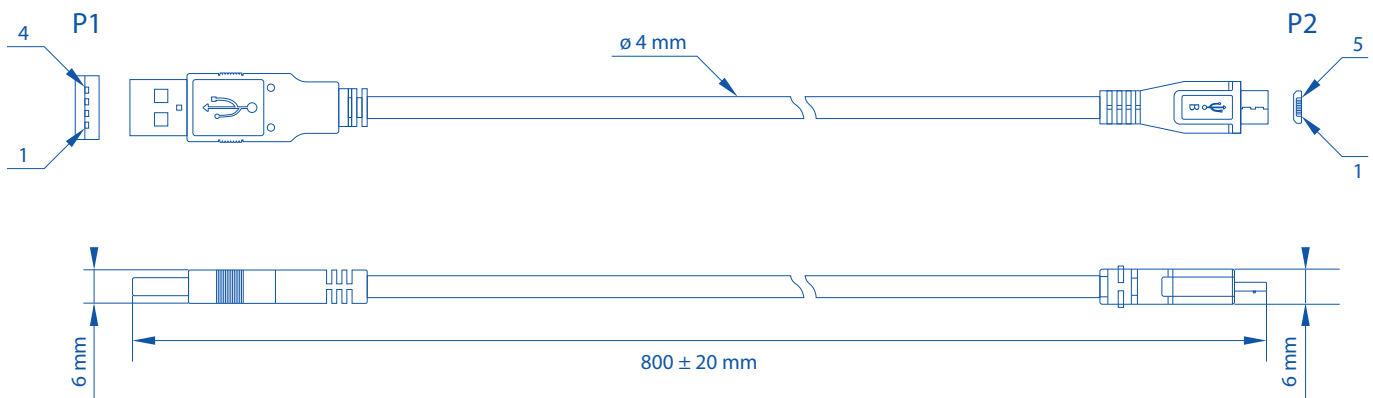


USB 2.0 TYPE A TO MICRO-USB TYPE B CABLE



TECHNICAL DATA

Connector 1	USB 2.0 A
Connector 2	USB 2.0 Micro B
Connector gender	Male-to-Male
Shielding	Shield + aluminium foil
Wire gauge	30 AWG
Cable outer diameter	4 mm
Color	Black
Weight	26 g
Total Length	800 ± 20 mm
Flammability rating	UL 94 V-0
RoHS	✓
REACH	✓



P1		P2
1	RED	1
2	WHITE	2
3	GREEN	3
4	BLACK	5
DRAIN		DRAIN